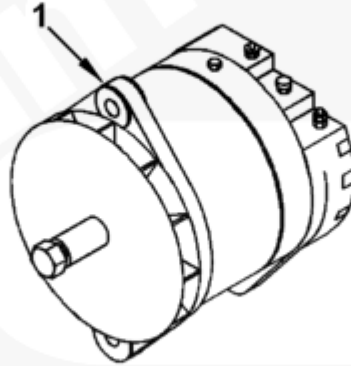
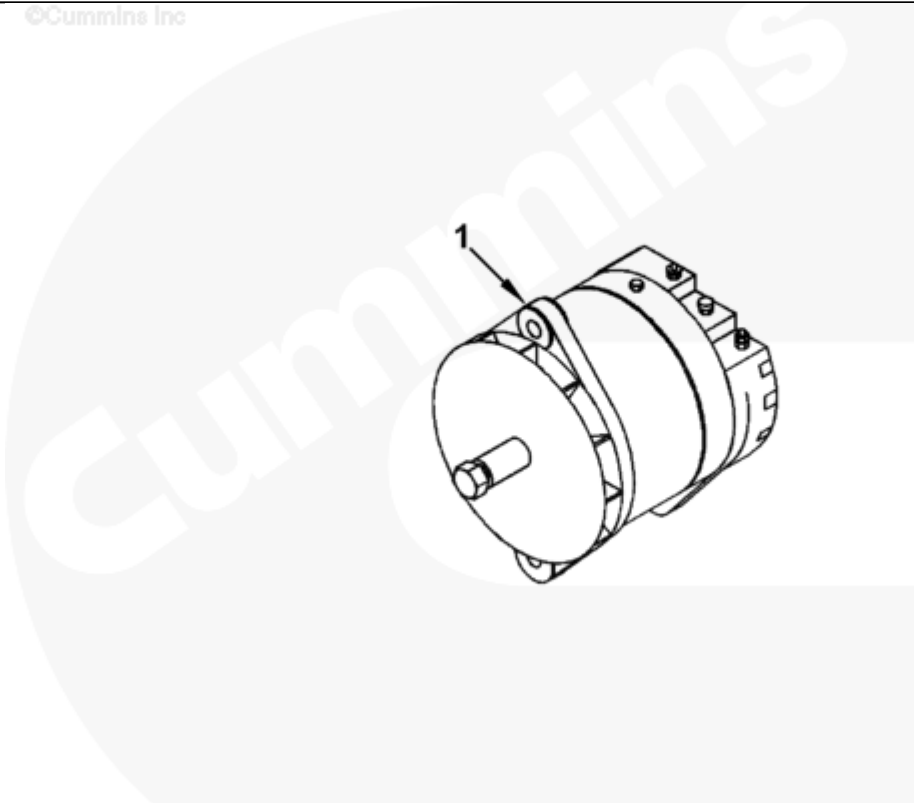




## Parts Catalog - Option Detail

Electronic Parts Catalog - Option Detail				
Option	Group	Graphic	Film Card	Date
EE8144	13.02	ee600gu	K38	30-JAN-01
<b>Engines</b>	GTA38, K38, KTA38GC CM558, QSK38 CM2150 K106, QSK38 CM2150 MCRS, QSK38 CM850 MCRS			

©Cummins Inc



ee600gu

[SMALL](#) | [MEDIUM](#) | [LARGE](#)

Cart	Ref No	Part Number	Part Description	Required	Remarks
<a href="#">View My Cart</a>					
		<a href="#">EE8144</a>	Alternator		<a href="#">Manufacturer/Model/Type...(More)</a>
					Delco Remy 33 SI-455
					Volts 24
					Amps 100
					Alternator ground provision:
					Isolated Ground
					Voltage regulator: Built in

<input type="checkbox"/>	1	<a href="#">4078701</a>	Alternator	1	
--------------------------	---	-------------------------	------------	---	--

© 2019 Cummins Inc., Box 3005, Columbus, IN 47202-3005 U.S.A.  
Terms of Use and Disclaimers | Recommended System Requirements  
Need Assistance? Please click on the Contact Us button in the top right corner of any page.